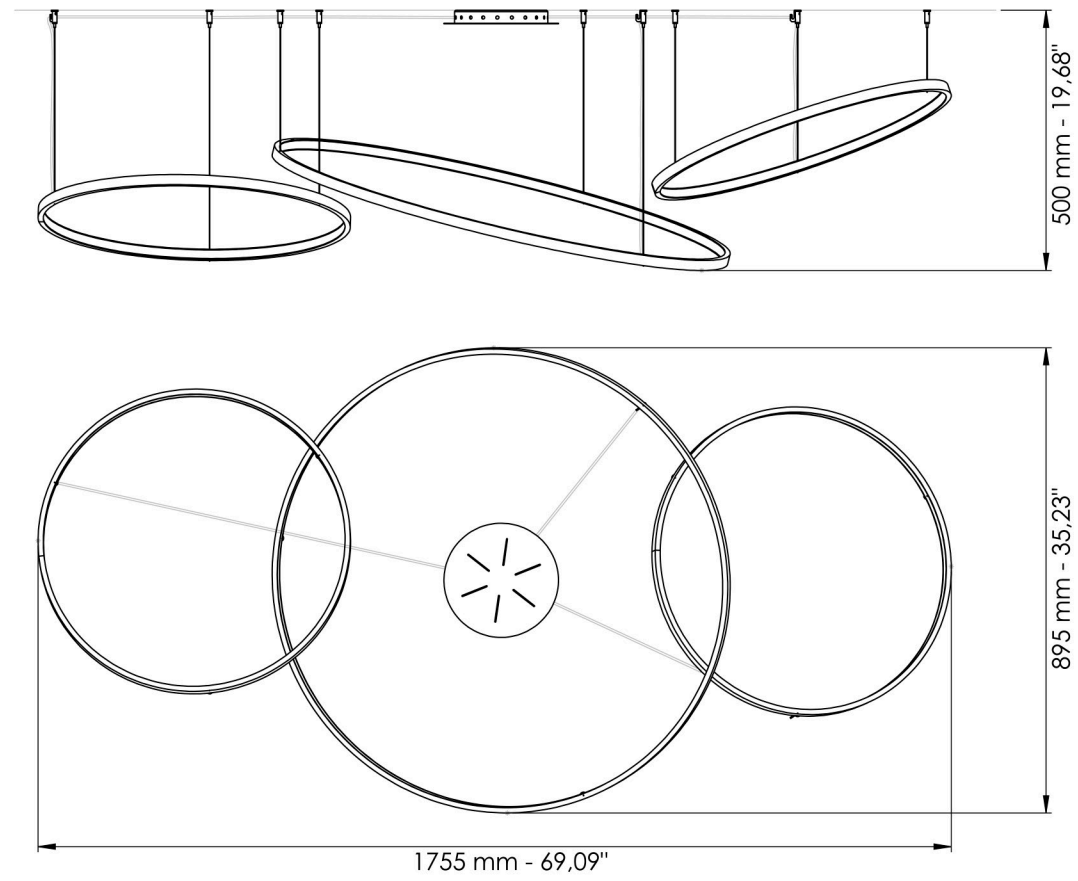
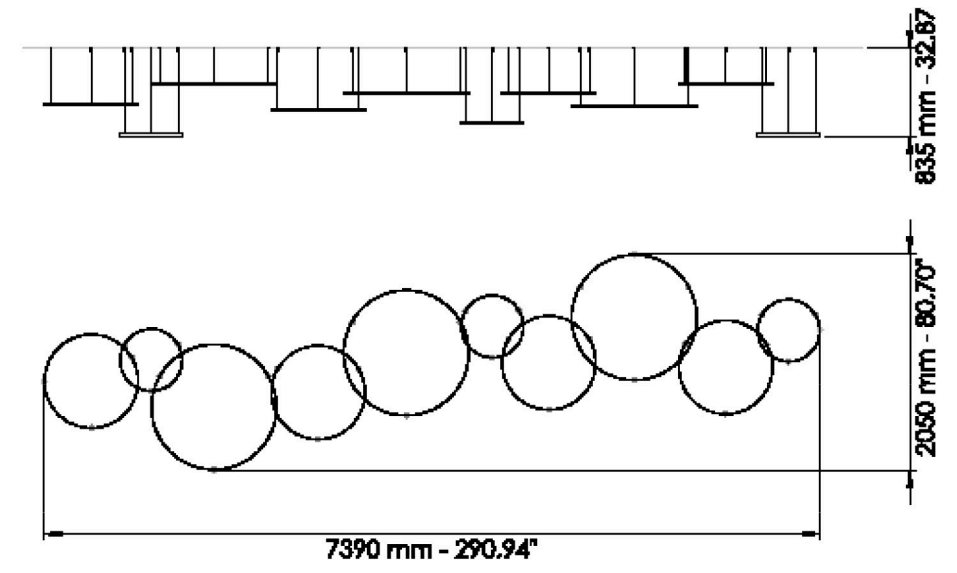


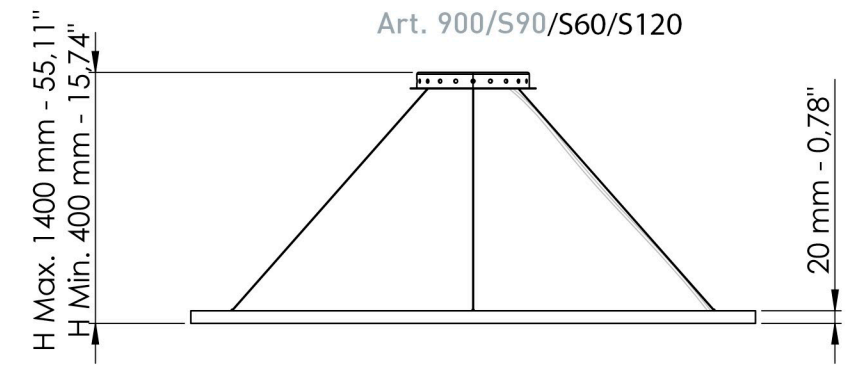
Art. 903



Art. 910



Art. 900/S90/S60/S120



Art. 904

